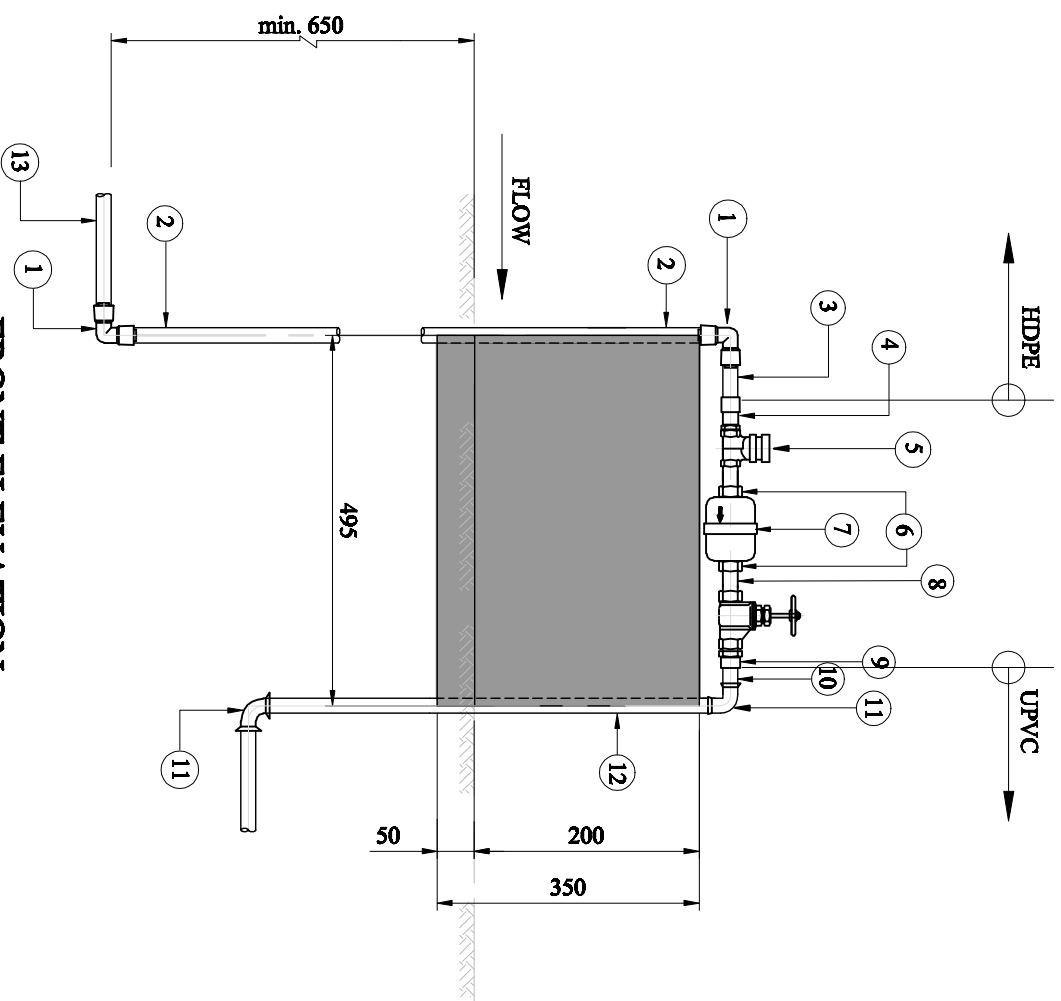
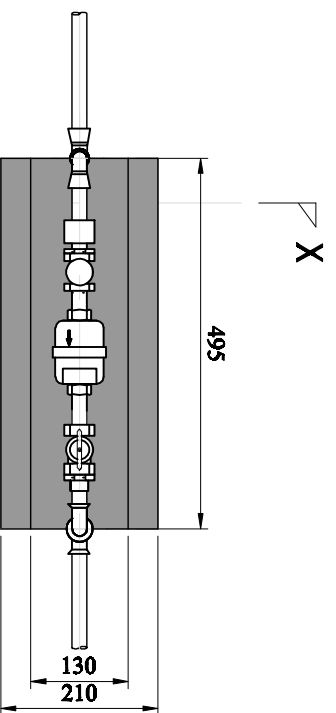


Water Meter Assembly Unit
සංගත ජල මනු කට්ටලය



FRONT ELEVATION

SCALE 1:10



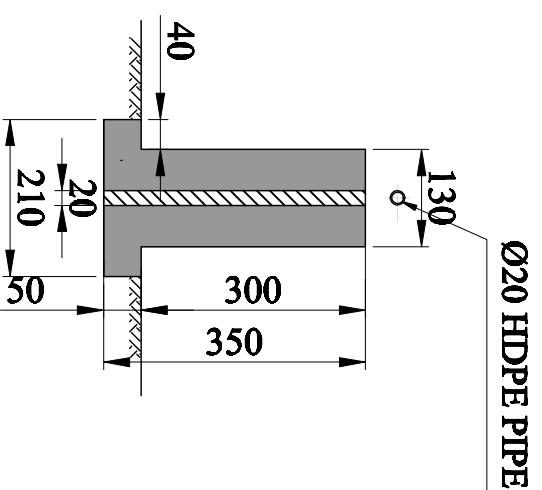
PLAN

SCALE 1:10

මෙම කට්ටලය ජල සම්බන්ධතය ලබා දීමට සහ අවස්ථාවේ පවතින වැද්දුම්කරු රැගෙන යා යුතුය.

මෙම කට්ටලය ජල සම්පාදන හා ජලාපවහන මණ්ඩලය මගින් මූලිකව සකසා පිටත පරිසරයට (Pressure Test) කර සුදානම් කාර්යක්ෂමයෙන් තිබිය යුතුය.

TENDER ISSUE




SECTION X-X

SCALE 1:10

LIST OF MATERIALS PER HOUSE CONNECTION

ITEM NO	SIZE (Ø)	DESCRIPTION	UNIT	QTY
1	200	HDPE Elbow	Nr.	2
2	200	HDPE Pipe Piece 1000 mm Length	Nr.	1
3	200	HDPE Pipe Piece 30mm length	Nr.	1
4	1/2" BSP T x 200	HDPE Straight male	Nr.	1
5	150	Lockable Brass Ball Valve (15mm, PN16)	Nr.	1
6	1/2" BSP T x 200	Union	Nr.	2
7	200	Water Meter	Nr.	1
8	200	Brass Stop Cock Valve	Nr.	1
9	200	uPVC Valve Socket	Nr.	1
10	200	uPVC Ø20 Pipe Piece 20 mm length	Nr.	1
11	200	uPVC Elbow	Nr.	2
12	200	uPVC Pipe Piece 800mm length	Nr.	1
13	200	HDPE Pipe piece from ferrule	Nr.	vary

PLOTTING SCALE - A1 = 2:1
A3 = 1:1

 <p>NATIONAL WATER SUPPLY & DRAINAGE BOARD</p>		<p>GREATHER KANDY WATER SUPPLY PROJECT</p>																													
CLIENT:	PROJECT:	<p>DETAIL OF DOMESTIC WATER METER ARRANGEMENT WITH MOUNTING UNIT</p>																													
		<table border="1"> <thead> <tr> <th>NO.</th> <th>REVISION</th> <th>BY</th> <th>CHECKED</th> <th>DATE</th> </tr> </thead> <tbody> <tr> <td> </td> <td> </td> <td> </td> <td> </td> <td> </td> </tr> <tr> <td> </td> <td> </td> <td> </td> <td> </td> <td> </td> </tr> <tr> <td> </td> <td> </td> <td> </td> <td> </td> <td> </td> </tr> </tbody> </table>	NO.	REVISION	BY	CHECKED	DATE																<table border="1"> <thead> <tr> <th>DESIGNED</th> <th>DRAWN</th> <th>CHECKED</th> <th>DATE</th> </tr> </thead> <tbody> <tr> <td>Madura</td> <td>Madura</td> <td>Kishan</td> <td> </td> </tr> </tbody> </table>	DESIGNED	DRAWN	CHECKED	DATE	Madura	Madura	Kishan	
NO.	REVISION	BY	CHECKED	DATE																											
DESIGNED	DRAWN	CHECKED	DATE																												
Madura	Madura	Kishan																													
		<table border="1"> <thead> <tr> <th>CLIENT/WORKS</th> <th>DESIGNED</th> <th>DRAWN</th> <th>CHECKED</th> <th>DATE</th> </tr> </thead> <tbody> <tr> <td>W. A. Rajitha Perera</td> <td>Madura</td> <td>DPD(GKWSB)</td> <td>Kishan</td> <td>01-11-2012</td> </tr> </tbody> </table>	CLIENT/WORKS	DESIGNED	DRAWN	CHECKED	DATE	W. A. Rajitha Perera	Madura	DPD(GKWSB)	Kishan	01-11-2012	<table border="1"> <thead> <tr> <th>AGM (P&D)</th> <th>DATE</th> <th>SCALE</th> <th>DRAWING NO.</th> </tr> </thead> <tbody> <tr> <td>CE (P&D)</td> <td> </td> <td>1:10</td> <td>GKWSP-STD-HC-00-B</td> </tr> </tbody> </table>	AGM (P&D)	DATE	SCALE	DRAWING NO.	CE (P&D)		1:10	GKWSP-STD-HC-00-B										
CLIENT/WORKS	DESIGNED	DRAWN	CHECKED	DATE																											
W. A. Rajitha Perera	Madura	DPD(GKWSB)	Kishan	01-11-2012																											
AGM (P&D)	DATE	SCALE	DRAWING NO.																												
CE (P&D)		1:10	GKWSP-STD-HC-00-B																												